

1 2 3 4 5 6

A

A

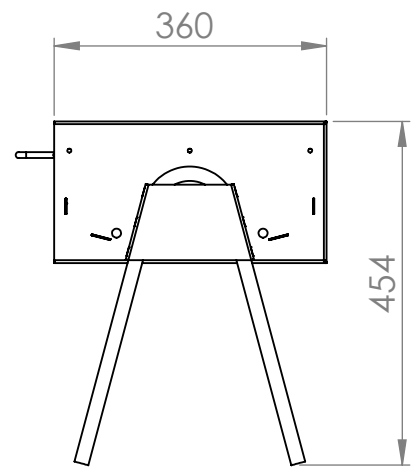
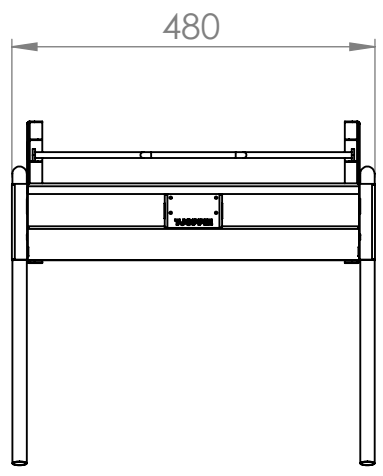
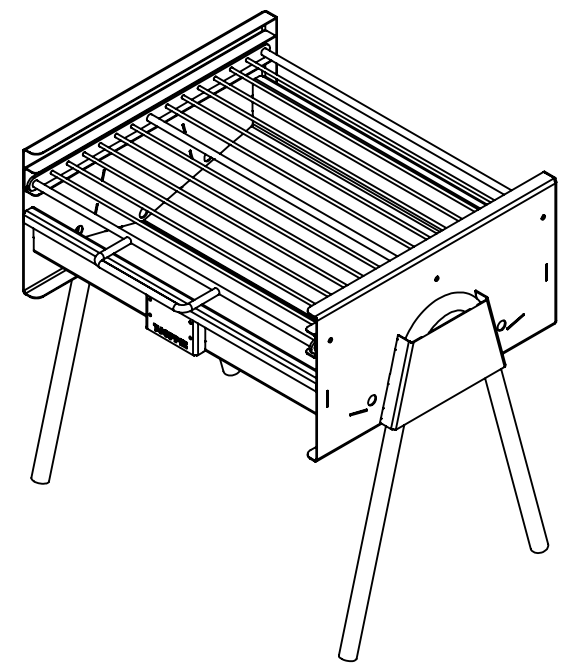
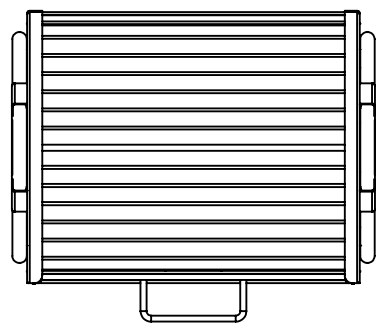
B

B

C

C

D



THIS DRAWING IS THE PROPERTY OF BMD PROJECTS ENGINEERING PTY LTD AND MAY NOT BE COPIED, PUBLISHED, DISTRIBUTED, OR MANUFACTURED. ALL RIGHTS RESERVED.		NAME	SIGNATURE	DATE	<b>BMD PROJECTS ENGINEERING</b>	
	DRAWN	NDJ		2015/05/25		
	CHK'D	SB		2015/05/25	TITLE: TJOPPIE	
	APPV'D				DWG NO: 2LBMD-BR1-00 P	A4
	Q.A				MATERIAL: STAINLESS STEEL	WEIGHT: 6661.89
UNLESS OTHERWISE SPECIFIED: DIMENSIONS ARE IN MILLIMETERS		DEBUR AND BREAK SHARP EDGES		SCALE: NTS	DO NOT SCALE DRAWING SHEET 2 OF 2	

1 2 3 4 5 6